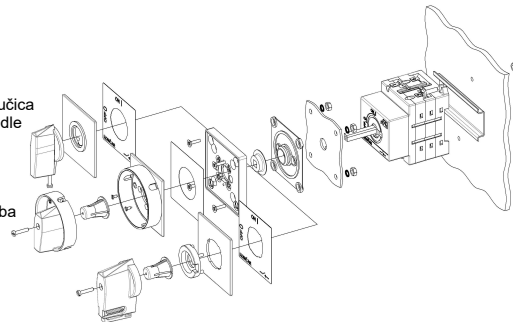


KONČAR

- Odvojena ogradnja "O"
- Rear mounting

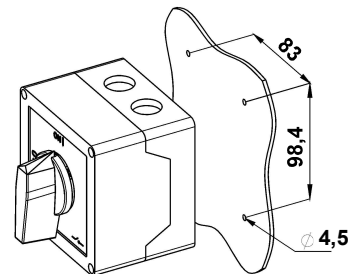
standardna ručica
standard handle

spec. izvedba
06/23/25
opt. extra
06/23/25



spec. izvedba 56/73/75
opt. extra 56/73/75

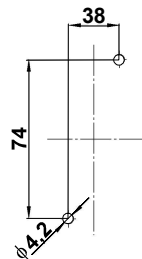
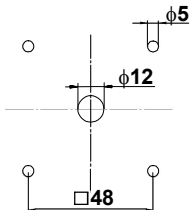
- Ugradnja u kućište "P"
- Casing mounting



Plan bušenja rupa
Drilling plan for panel

Prednji lim
Front plane

Stražnji lim (samo za izvedbu "O")
Rear plane (only for option "O")



Standardne sheme sklapanja
Standard switching diagram

